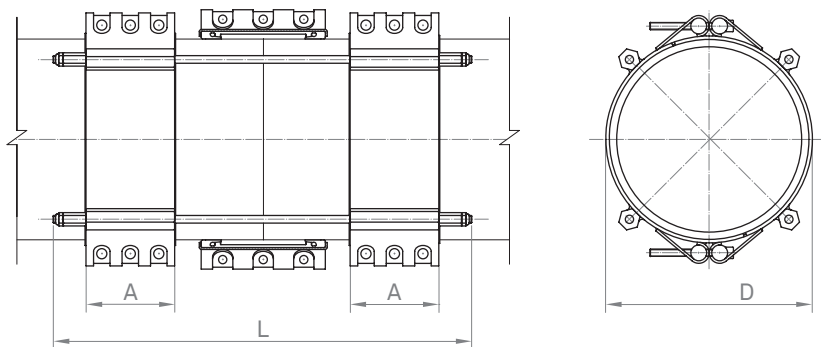


# For PE pipe

## Serie MULTI-FIX

To ensure correct operation, Fitting instructions must be respected.  
 Test pressure = 1,25 x PS

ARPOL MULTIFIX is the anchoring set only.  
 Sealing coupling in the middle can be an ARPOL INSTAL or ARPOL REP.



In order to prevent deformation and reduction of pipe diameters due temperature differentials, it is necessary to place an inner ring inside the PE or PVC pipe to stiffen it.

This anchoring set requires a specialized installation process, please see the fitting instruction before choosing this product.

	Quality W1		Quality W2		Quality W4		Quality W5	
	AISI	DIN	AISI	DIN	AISI	DIN	AISI	DIN
Casing					304 L	1.4307	316 L	1.4404
Bolts					304	1.4301	316	1.4401
Bars					304 L	1.4307	316 L	1.4404
Restraining rod					304	1.4301	316	1.4401
Anchoring band					304 L	1.4307	316 L	1.4404

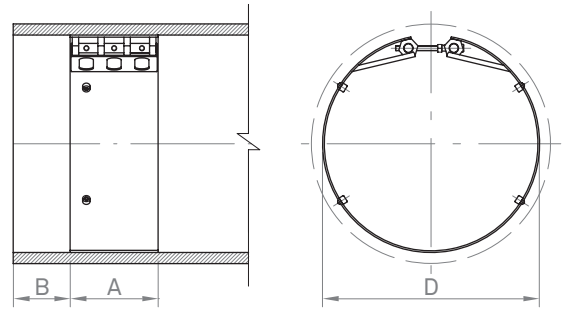
OD mm	Pressure PS bar			ΔT max. °C			Max axial load kN			Dimensions						Restraining rod						
										A mm			L mm			D mm	Diam.			Cantidad		
	PS6	PS10	PS16	PS6	PS10	PS16	PS6	PS10	PS16	PS6	PS10	PS16	PS6	PS10	PS16		PS6	PS10	PS16			
315	6	10	16	40	40	40	125	186	278	140	140	200	645	677	829	326	M12	M16	M16	4	4	4
355	6	10	16	40	40	40	158	237	353	140	140	200	645	677	829	366	M12	M16	M16	4	4	4
400	6	10	16	40	40	40	201	301	500	140	200	200	677	809	829	411	M16	M16	M20	4	4	4
450	6	10	16	40	40	40	254	382	567	140	200	200	677	829	829	461	M16	M20	M20	4	4	6
500	6	10		40	40		314	470		140	200		677	829		511	M16	M20		6	6	
560	6	10		40	40		393	589		140	200		677	829		571	M16	M20		6	6	
630	6	10		40	40		498	746		200	200		829	829		641	M20	M20		6	6	
710	6	10		40	30		633	810		200	200		829	829		722	M20	M20		6	8	
800	6	10		40	25		803	941		200	200		829	829		816	M20	M20		8	8	
900	6	10		40	20		1016	1081		200	200		829	829		916	M20	M20		9	9	
1000	6	10		40	15		1255	1200		200	200		829	829		1016	M24	M24		9	9	

PS Working pressure OD Outside Diameter ΔT Temperature differential

# Inside stiffener for Arpol MULTI-FIX

## Serie MULTI-FIX

To ensure correct operation, Fitting instructions must be respected.



In order to prevent deformation and reduction of pipe diameters due temperature differentials, it is necessary to place an inner ring inside the PE or PVC pipe to stiffen it.

This anchoring set requires a specialized installation process, please see the fitting instruction before choosing this product.

	Quality W1		Quality W2		Quality W4		Quality W5	
	AISI	DIN	AISI	DIN	AISI	DIN	AISI	DIN
Casing					304 L	1.4307	316 L	1.4404
Bolts					304	1.4301	316	1.4401
Bars					304 L	1.4307	316 L	1.4404

OD mm	Dimensions						
	A mm			B mm	D mm		
	PS6	PS10	PS16		PS6 / SDR 26	PS10 / SDR 17	PS16 / SDR 11
315	140	140	200	140	291	278	258
355	140	140	200	140	328	313	290
400	140	200	200	140	369	353	327
450	140	200	200	140	415	397	368
500	140	200		140	462	441	
560	140	200		140	517	494	
630	200	200		140	582	556	
710	200	200		140	655	626	
800	200	200		140	738	706	
900	200	200		140	831	794	
1000	200	200		140	923	882	

OD Outside Diameter SDR Standard Dimension Ratio, ratio of outside diameter to wall thickness PS Working pressure MULTI-FIX