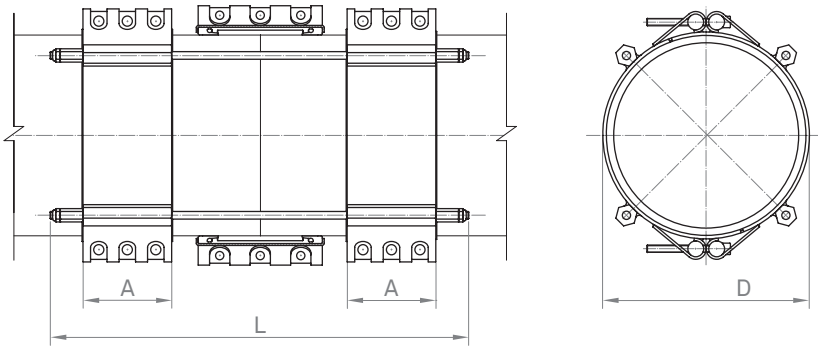


For PE pipe

Serie MULTI-FIX

For the correct operation of the coupling, fitting instructions must be respected.
 Presión de prueba = 1,25 x PS

The ARPOL MULTIFIX is the anchoring set only.
 The sealing coupling in the middle can be an ARPOL INSTAL or ARPOL REP.



It is necessary to place an inner ring inside the PE pipe to stiffen it and prevent the deformation and reduction of pipe diameters caused by temperature differentials.

This anchoring set requires a specialized installation process, please see the fitting instruction before choosing this product.

	Quality W1		Quality W2		Quality W4		Quality W5	
	AISI	DIN	AISI	DIN	AISI	DIN	AISI	DIN
Casing					304 L	1.4307	316 L	1.4404
Bolts					304	1.4301	316	1.4401
Bars					304 L	1.4307	316 L	1.4404
Restraining rod					304	1.4301	316	1.4401
Anchoring band					304 L	1.4307	316 L	1.4404

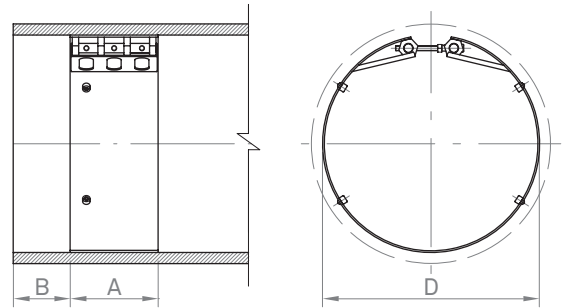
OD in	Pressure PS psi			ΔT max. °C			Max axial load kN			Dimensions						Restraining rod						
										A in			L in			D in	Diam.			Cantidad		
										PS6	PS10	PS16	PS6	PS10	PS16		PS6	PS10	PS16	PS6	PS10	PS16
12.75	80	140	230	100	100	100	28.8	44.3	278	5.50	5.50	8.00	25.40	26.70	32.60	13.20	M12	M16	M16	4	4	4
13.20	80	140	230	100	100	100	30.8	47.2	353	5.50	5.50	8.00	25.40	26.70	32.60	13.60	M12	M16	M16	4	4	4
14.00	80	140	230	100	100	100	34.6	53.5	500	5.50	5.50	8.00	25.40	26.70	32.60	14.40	M12	M16	M16	4	4	4
15.30	80	140	230	100	100	100	41.4	63.8	567	5.50	5.50	8.00	26.70	26.70	32.60	15.70	M16	M16	M16	4	4	4
16.00	80	140	230	100	100	100	45.2	69.5		5.50	5.50	8.00	26.70	32.60	32.60	16.40	M16	M20	M20	4	4	4
17.40	80	140	230	100	100	100	53.5	82.3		5.50	8.00	8.00	26.70	32.60	32.60	17.80	M16	M20	M20	4	4	6
18.00	80	140		100	100		57.3	88.1		5.50	8.00		26.70	32.60		18.40	M16	M20		4	4	
19.50	80	140		100	100		67.3	103.4		5.50	8.00		26.70	32.60		19.90	M16	M20		4	4	
20.00	80	140		100	100		70.8	108.8		5.50	8.00		26.70	32.60		20.40	M16	M20		6	6	
21.60	80	140		100	100		81.8	125.7		5.50	8.00		26.70	32.60		22.00	M16	M20		6	6	
22.00	80	140		100	100		85.7	131.7		5.50	8.00		26.70	32.60		22.40	M16	M20		6	6	
24.00	80	140		100	100		102.1	156.9		5.50	8.00		26.70	32.60		24.40	M16	M20		6	6	
25.80	80	140		100	85		117.8	167.7		7.90	8.00		32.60	32.60		26.20	M20	M20		6	6	
26.00	80	140		100	85		119.6	167.7		8.00	8.00		32.60	32.60		26.40	M20	M20		6	6	
28.00	80	140		100	85		143.2	182.5		8.00	8.00		32.60	32.60		28.50	M20	M20		6	8	
30.00	80	140		100	75		159.4	192.0		8.00	8.00		32.60	32.60		30.60	M20	M20		6	8	
32.00	80	140		100	75		181.4	218.5		8.00	8.00		32.60	32.60		32.60	M20	M20		8	8	
36.00	80	140		100	65		229.3	243.0		8.00	8.00		32.60	32.60		36.60	M20	M20		9	9	
38.30	80	140		100	65		259.2	255.4		8.00	8.00		32.60	32.60		38.90	M20	M20		9	9	
40.00	80	140		100	60		285.5	278.3		8.00	8.00		32.60	32.60		40.60	M24	M24		9	9	

PS Working pressure OD Outside Diameter ΔT Temperature differential

Inside stiffener for Arpol-MULTIFIX

Serie MULTI-FIX

For the correct operation of the coupling, fitting instructions must be respected.



It is necessary to place an inner ring inside the PE pipe to stiffen it and prevent the deformation and reduction of pipe diameters caused by temperature differentials.

This anchoring set requires a specialized installation process, please see the fitting instruction before choosing this product.

	Quality W1		Quality W2		Quality W4		Quality W5	
	AISI	DIN	AISI	DIN	AISI	DIN	AISI	DIN
Casing					304 L	1.4307	316 L	1.4404
Bolts					304	1.4301	316	1.4401
Bars					304 L	1.4307	316 L	1.4404

OD	Dimensions							
	in	A in			B in	D in		
		PS6	PS10	PS16		PS6 / SDR 26	PS10 / SDR 17	PS16 / SDR 11
12.75	5.50	5.50	8.00	5.50	11.77	11.25	10.43	
13.20	5.50	5.50	8.00	5.50	12.18	11.65	10.80	
14.00	5.50	5.50	8.00	5.50	12.92	12.35	11.45	
15.30	5.50	5.50	8.00	5.50	14.12	13.50	12.52	
16.00	5.50	8.00	8.00	5.50	14.77	14.12	13.09	
17.40	5.50	8.00	8.00	5.50	16.06	15.35	14.24	
18.00	5.50	8.00		5.50	16.62	15.88		
19.50	5.50	8.00		5.50	18.00	17.21		
20.00	5.50	8.00		5.50	18.46	17.65		
21.60	5.50	8.00		5.50	19.94	19.06		
22.00	5.50	8.00		5.50	20.31	19.41		
24.00	5.50	8.00		5.50	22.15	21.18		
25.80	7.90	8.00		5.50	23.82	22.76		
26.00	8.00	8.00		5.50	24.00	22.94		
28.00	8.00	8.00		5.50	25.85	24.71		
30.00	8.00	8.00		5.50	27.69	26.47		
32.00	8.00	8.00		5.50	29.54	28.24		
36.00	8.00	8.00		5.50	33.23	31.76		
38.30	8.00	8.00		5.50	35.35	33.79		
40.00	8.00	8.00		5.50	36.92	35.29		

OD Outside Diameter SDR Standard Dimension Ratio, ratio of outside diameter to wall thickness PS Working pressure MULTI-FIX