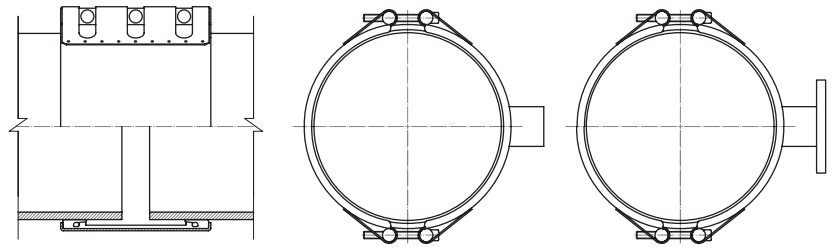


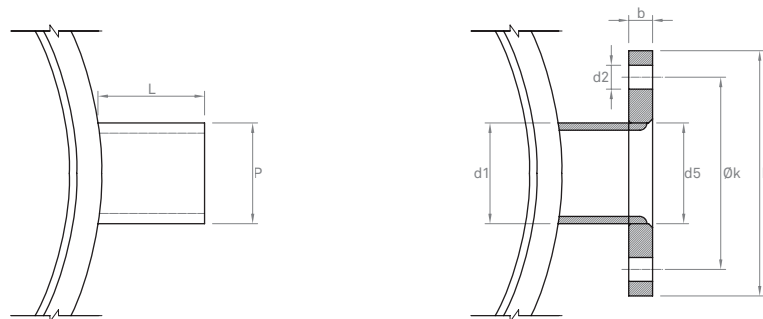
With outlet

Series REP-S

To ensure correct operation, Fitting instructions must be respected.



	Quality W1		Quality W2		Quality W4		Quality W5	
	AISI	DIN	AISI	DIN	AISI	DIN	AISI	DIN
Casing			304 L	1.4307	304 L	1.4307	316 L	1.4404
Bolts			1035	1.0501	304	1.4301	316	1.4401
Bars			1045	1.0503	304 L	1.4307	316 L	1.4404
Inner Steel Plate (Lock)			304 L	1.4307	304 L	1.4307	316 L	1.4404
Outlet thread			316 L	1.4404	316 L	1.4404	316 L	1.4404
Outlet flange			304 L	1.4307	304 L	1.4307	316 L	1.4404



Outlet thread			Outlet flange							Serie Y	Serie Z
DN in	L mm	P mm	DN mm	d1 mm	d2 mm	d5 mm	D mm	b mm	Øk mm	Width 140 mm	Width 200 mm
1	43	39,5	25	33,7	14	34,5	115	16	85	•	•
1 ½	48	54,5	40	48,3	18	49,5	150	16	110	•	•
2	56	66,2	50	60,3	18	61,5	165	18	125	•	•
2 ½	65	82,0	65	76,1	18	77,5	185	18	145	•	•
3	71	95,0	80	88,9	18	90,5	200	20	160	•	•
4	83	121,4	100	114,3	18	116,0	220	20	180	•	•

Available from DN 250 mm

Working pressure up to 10 bar

Thread BSP according to ISO 7/1

Flange according to EN 1092-1-01 PN10