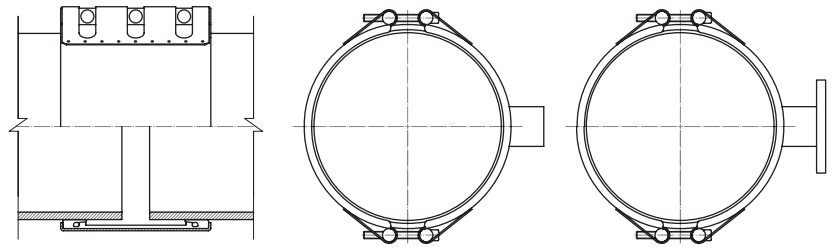


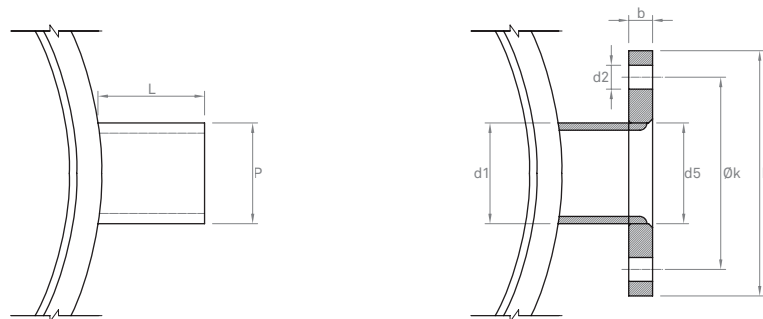
With outlet

Series REP-S

For the correct operation of the coupling, fitting instructions must be respected.



	Quality W1		Quality W2		Quality W4		Quality W5	
	AISI	DIN	AISI	DIN	AISI	DIN	AISI	DIN
Casing			304 L	1.4307	304 L	1.4307	316 L	1.4404
Bolts			1035	1.0501	304	1.4301	316	1.4401
Bars			1045	1.0503	304 L	1.4307	316 L	1.4404
Inner Steel Bridge (Lock)			304 L	1.4307	304 L	1.4307	316 L	1.4404
Outlet thread			316 L	1.4404	316 L	1.4404	316 L	1.4404
Outlet flange			304 L	1.4307	304 L	1.4307	316 L	1.4404



Outlet thread			Outlet flange							Serie Y	Serie Z
DN in	L in	P in	DN in	d1 in	d2 in	d5 in	D in	b in	Øk in	Width 140 in	Width 200 in
1	1.69	1.56	1	1.33	0.55	1.36	4.53	0.63	3.35	•	•
1½	1.89	2.15	1½	1.90	0.71	1.95	5.91	0.63	4.33	•	•
2	2.20	2.61	2	2.37	0.71	2.42	6.50	0.71	4.92	•	•
2½	2.56	3.23	2½	3.00	0.71	3.05	7.28	0.71	5.71	•	•
3	2.80	3.74	3	3.50	0.71	3.56	7.87	0.79	6.30	•	•
4	3.27	4.78	4	4.50	0.71	4.57	8.66	0.79	7.09	•	•

Available from DN 250 in

Working pressure up to 160 psi

Thread BSP according to ISO 7/1

Flange according to EN 1092-1-01 PN10