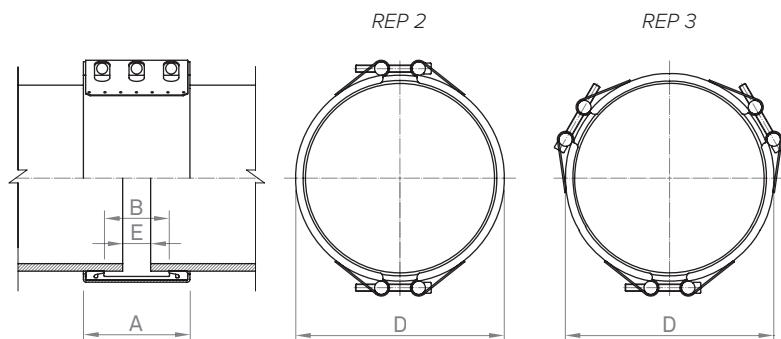


# Coated nominal width 5.50

## Series IBYR to IFYR IBY3 to IFY3

For the correct operation of the coupling, fitting instructions must be respected.

Test pressure = 1.5 x PS



	IBYR IBY3	ICYR ICY3	IDYR IDY3	IEYR IEY3	IFYR IFY3
	in	in	in	in	in
<b>A</b>	5.47	5.51	5.55	5.59	5.67
<b>B</b>	3.39	3.39	3.39	3.39	3.39
<b>D</b>	DE + 0.91	DE + 0.94	DE + 0.98	DE + 1.02	DE + 1.10
<b>E<sup>1</sup></b>	0.40	0.40	0.40	0.40	0.40
<b>E<sup>2</sup></b>	1.40	1.40	1.40	1.40	1.40

	Quality W1		Quality W2		Quality W4		Quality W5	
	AISI	DIN	AISI	DIN	AISI	DIN	AISI	DIN
Casing			304 L	1.4307	304 L	1.4307	316 L	1.4404
Bolts			1035	1.0501	304	1.4301	316	1.4401
Bars			1045	1.0503	304 L	1.4307	316 L	1.4404
Inner Steel Bridge (Lock)			304 L	1.4307	304 L	1.4307	316 L	1.4404

Sealing gasket: EPDM / NBR / Silicone

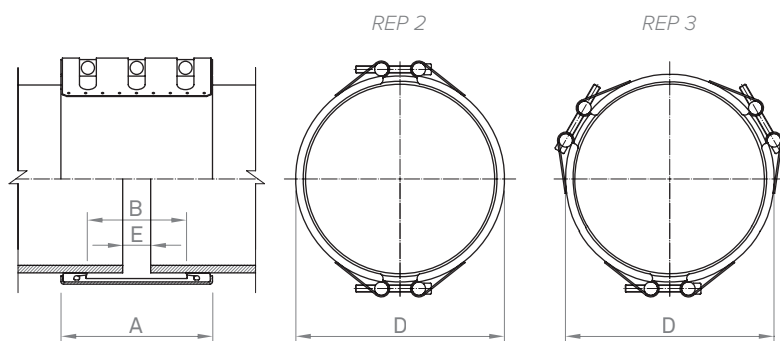
DN	IBYR - IBY3			ICYR - ICY3			IDYR - IDY3			IEYR - IEY3			IFYR - IFY3			
	in	PS psi	Diam.	Tor. lbf ft	PS psi	Diam.	Tor. lbf ft	PS psi	Diam.	Tor. lbf ft	PS psi	Diam.	Tor. lbf ft	PS psi	Diam.	Tor. lbf ft
6	333	M 10	15	435	M 10	15										
8	261	M 10	15	348	M 10	15	435	M 10	15							
10	217	M 10	15	275	M 10	15	348	M 10	15							
12	174	M 10	20	232	M 10	15	290	M 10	15							
14	159	M 10	25	203	M 10	15	261	M 10	15	304	M 10	15	406	M 12	20	
16	130	M 10	25	188	M 10	15	232	M 10	15	275	M 10	15	362	M 12	20	
18	116	M 10	20	159	M 10	20	203	M 10	20	246	M 12	25	319	M 12	25	
20	116	M 10	25	145	M 10	20	188	M 10	20	217	M 12	25	290	M 12	30	
22	101	M 10	25	130	M 10	25	174	M 10	25	203	M 12	30	275	M 12	30	
24	87	M 10	25	130	M 10	25	159	M 10	25	188	M 12	30	246	M 12	30	
26	87	M 10	30	116	M 10	30	145	M 12	30	174	M 12	35	232	M 12	35	
28	87	M 10	30	101	M 10	30	130	M 12	35	159	M 12	35	217	M 12	35	
30	72	M 10	30	101	M 10	30				145	M 12	35	203	M 16	45	
32	72	M 10	30	87	M 12	40				145	M 12	40	188	M 16	55	
34	72	M 10	35	87	M 12	45				130	M 12	45	174	M 16	55	
36				87	M 12	45				130	M 12	45	174	M 16	60	
38				72	M 12	45				116	M 12	45	159	M 16	60	
42				72	M 12	55				116	M 12	55	145	M 16	70	
44				72	M 12	55				101	M 16	70	130	M 16	70	
48				58	M 12	60				101	M 16	70	130	M 16	75	

Nominal diameter serve as guidance of the pressure scale. All measures within the DN range are manufactured.

E<sup>1</sup> Permitted gaps without internal band E<sup>2</sup> Permitted gaps with internal band PS Working pressure DN Nominal Diameter OD Outside Diameter Tor. Torque Value

OD	Maximum diameter difference		Maximum angular deflection	Maximum misalignment	Maximum crack width
	2 locks	3 locks			
in	mil	mil	degrees	mil	in
6 - 10	200	280	2,0	80	2,00
10 - 20	200	280	2,0	120	2,00
20 - 48	240	320	2,0	120	2,00

See page 5 (Permitted tolerances)



# Coated nominal width 8.00

## Series AGZR - AGZ3

For the correct operation of the coupling, fitting instructions must be respected.

Test pressure = 1.5 x PS

	AGZR - AGZ3
	in
A	8.11
B	5.50
D	DE + 1.20
E <sup>1</sup>	0.60
E <sup>2</sup>	2.40

	Quality W1		Quality W2		Quality W4		Quality W5	
	AISI	DIN	AISI	DIN	AISI	DIN	AISI	DIN
Casing	1024	1.0570						
Bolts	1035 / 304	1.0501 / 1.4301						
Bars	1045 / 304 L	1.0503 / 1.4307						
Inner Steel Bridge (Lock)	304 L	1.4307						

Sealing gasket: EPDM / NBR / Silicone

DN	AGZR - AGZ3		
	PS psi	Diam.	Tor. lbf ft
20			
22			
24	420	M20	45
26	391	M20	55
28	362	M20	60
30	333	M20	60
32	319	M20	70
34	304	M20	70
36	275	M20	75
38	261	M20	75
42	261	M20	90
44	232	M20	90
48	217	M20	105
52	203	M20	105
56	188	M20	120
60	174	M20	120
64	159	M20	135
68	145	M20	135
72	145	M20	150
76	130	M20	150
80	130	M20	165

Nominal diameter serve as guidance of the pressure scale. All measures within the DN range are manufactured.

E<sup>1</sup> Permitted gaps without internal band E<sup>2</sup> Permitted gaps with internal band PS Working pressure DN Nominal Diameter OD Outside Diameter Tor. Torque Value

For diameters  
more than  
80 in, please  
consult.

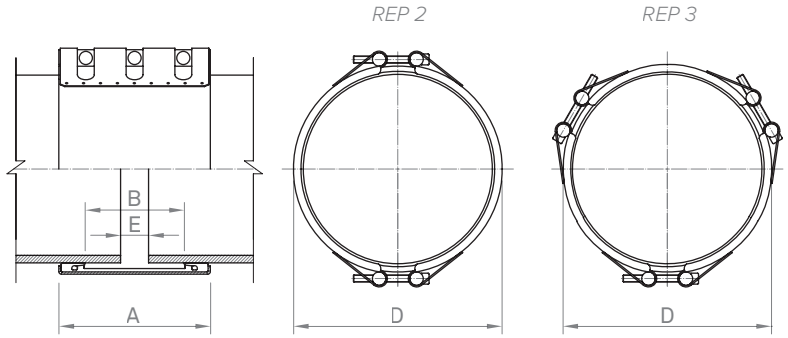
OD	Maximum diameter difference		Maximum crack width
	2 locks	3 locks	
	AFZR-AGZR	AFZ3-AGZ3	
in	mil	mil	in
20 - 60	6,0	8,0	100
60 - 80	6,0	8,0	100

See page 5 (Permitted tolerances)

# Nominal width 8.00

## Series IBZR to IHFZR IBZ3 to IHFZ3

For the correct operation of the coupling, fitting instructions must be respected.  
Test pressure = 1,5 x PS



	IBZR IBZ3	ICZR ICZ3	IDZR IDZ3	IEZR IEZ3	IFZR IFZ3	IGZR IGZ3	IHFZR IHFZ3
	in	in	in	in	in	in	in
A	7.83	7.87	7.91	7.95	8.03	8.11	8.03
B	5.50	5.50	5.50	5.50	5.50	5.50	5.50
D	DE+0.91	DE+0.94	DE+0.98	DE+1.02	DE+1.10	DE+1.20	DE+2.05
E <sup>1</sup>	15	15	15	15	15	15	15
E <sup>2</sup>	60	60	60	60	60	60	60

	Quality W1		Quality W2		Quality W4		Quality W5	
	AISI	DIN	AISI	DIN	AISI	DIN	AISI	DIN
Casing			304 L	1.4307	304 L	1.4307	316 L	1.4404
Bolts			1035	1.0501	304	1.4301	316	1.4401
Bars			1045	1.0503	304 L	1.4307	316 L	1.4404
Inner Steel Bridge (Lock)			304 L	1.4307	304 L	1.4307	316 L	1.4404

Sealing gasket: EPDM / NBR / Silicone

DN	IBZR - IBZ3			ICZR - ICZ3			IDZR - IDZ3			IEZR - IEZ3			IFZR - IFZ3			IGZR - IGZ3			IHFZR - IHFZ3		
	in	PS psi	Diam. Tor. lbf ft	PS psi	Diam. Tor. lbf ft	PS psi	Diam. Tor. lbf ft	PS psi	Diam. Tor. lbf ft	PS psi	Diam. Tor. lbf ft	PS psi	Diam. Tor. lbf ft	PS psi	Diam. Tor. lbf ft	PS psi	Diam. Tor. lbf ft	PS psi	Diam. Tor. lbf ft		
6	333	M 12	15	435	M 12	15															
8	261	M 12	15	348	M 12	20	435	M 12	15												
10	217	M 12	20	275	M 12	20	348	M 12	15												
12	174	M 12	25	232	M 12	25	290	M 12	15												
14	159	M 12	30	203	M 12	25	261	M 12	20	304	M 12	20	406	M 16	25						
16	130	M 12	30	188	M 12	20	232	M 12	25	275	M 12	20	362	M 16	45						
18	116	M 12	35	159	M 12	25	203	M 12	25	246	M 12	25	319	M 16	30						
20	116	M 12	35	145	M 12	30	188	M 12	30	217	M 12	25	290	M 16	30						
22	101	M 12	30	130	M 12	30				203	M 16	40	275	M 16	35						
24	87	M 12	30	130	M 12	35				188	M 16	45	246	M 16	40	304	M 20	45	391	M 20	55
26	87	M 12	30	116	M 12	35				174	M 16	45	232	M 16	45	290	M 20	55	362	M 20	55
28	87	M 12	35	101	M 12	35				159	M 16	45	217	M 16	45	261	M 20	55	333	M 20	60
30	72	M 12	35	101	M 12	40				145	M 16	45	203	M 16	45	246	M 20	60	319	M 20	60
32	72	M 12	40	87	M 12	45				145	M 16	55	188	M 16	55	232	M 20	70	290	M 20	70
34				87	M 12	45				130	M 16	55	174	M 16	55	217	M 20	70	275	M 20	70
36				87	M 12	45				130	M 16	60	174	M 16	60	203	M 20	75	261	M 20	75
38				72	M 12	45				116	M 16	60	159	M 16	60	203	M 20	75	246	M 20	75
42				72	M 12	55				116	M 16	70	145	M 16	70	188	M 20	90	232	M 20	90
44				72	M 16	70				101	M 16	70	130	M 16	70	174	M 20	90	217	M 20	90
48				59	M 16	75				101	M 16	75	130	M 16	75	159	M 20	90	203	M 20	105
52										87	M 16	90	116	M 16	90	145	M 20	105	188	M 20	105
56										87	M 16	90	101	M 16	90	130	M 20	120	174	M 20	120
60										72	M 16	105	101	M 16	105	130	M 20	120	159	M 20	120
64										72	M 16	105	101	M 20	135	116	M 20	135	145	M 20	135
68										72	M 16	105	87	M 20	135	116	M 20	135	145	M 20	135
72										58	M 16	120	87	M 20	150	101	M 20	150	130	M 20	150
76										58	M 16	120	87	M 20	150	101	M 20	150	130	M 20	150
80										58	M 16	135	72	M 20	150	101	M 20	165	116	M 20	165

Nominal diameter serve as guidance of the pressure scale. All measures within the DN range are manufactured.

E<sup>1</sup> Permitted gaps without internal band E<sup>2</sup> Permitted gaps with internal band PS Working pressure DN Nominal Diameter OD Outside Diameter Tor. Torque Value

OD	Maximum diameter difference				Maximum angular deflection		Maximum misalignment		Maximum crack width
	2 locks	3 locks	2 locks	3 locks	IBZR-IGZR	IHFZR	IBZR-IGZR	IHFZR	
	IBZR-IGZR	IBZ3-IGZ3	IHFZR	IHFZ3	IBZ3-IGZ3	IHFZ3	IBZ3-IGZ3	IHFZ3	
in	mil	mil	mil	mil	degrees	degrees	mil	mil	in
6 - 10	200	280			2,0		2,0		4,00
10 - 20	200	280			2,0		2,0		4,00
20 - 60	240	320	120	160	2,0	1,0	3,0	2,0	4,00
60 - 80	240	320	120	160	1,0	1,0	3,0	2,0	4,00

See page 5 (Permitted tolerances)

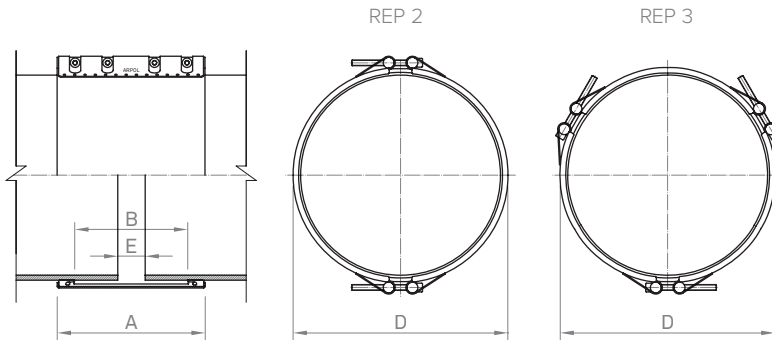
For diameters more than 80 in, please consult

# Coated Nominal width 12.00

## Series AGWR - AGW3

For the correct operation of the coupling, fitting instructions must be respected.

Test pressure = 1.5 x PS



AGWR - AGW3	
in	
A	11.85
B	9.05
D	DE + 1.20
E <sup>1</sup>	0.60
E <sup>2</sup>	3.20

	Quality W1		Quality W2		Quality W4		Quality W5	
	AISI	DIN	AISI	DIN	AISI	DIN	AISI	DIN
Casing	1024	1.0570						
Bolts	1035 / 304	1.0501 / 1.4301						
Bars	1045 / 304 L	1.0503 / 1.4307						
Inner Steel Bridge (Lock)	304 L	1.4307						

Sealing gasket: EPDM

DN	AGWR - AGW3		
	PS psi	Diam.	Tor. lbf ft
20			
22			
24	420	M20	40
26	391	M20	45
28	362	M20	45
30	333	M20	45
32	319	M20	55
34	304	M20	55
36	290	M20	55
38	261	M20	60
42	261	M20	60
44	232	M20	70
48	217	M20	75
52	203	M20	75
56	188	M20	90
60	174	M20	90
64	159	M20	105
68	145	M20	105
72	145	M20	105
76	130	M20	120
80	130	M20	120

Nominal Diameter orientativo para comprobar la escala de Pressure. Fabricado de todas las medidas dentro del Range DN hasta 160in.

E<sup>1</sup> Permitted gaps without internal band E<sup>2</sup> Permitted gaps with internal band PS Working pressure DN Nominal Diameter W diámetro exterior Tor. Torque Value

For diameters  
more than  
80 in, please  
consult

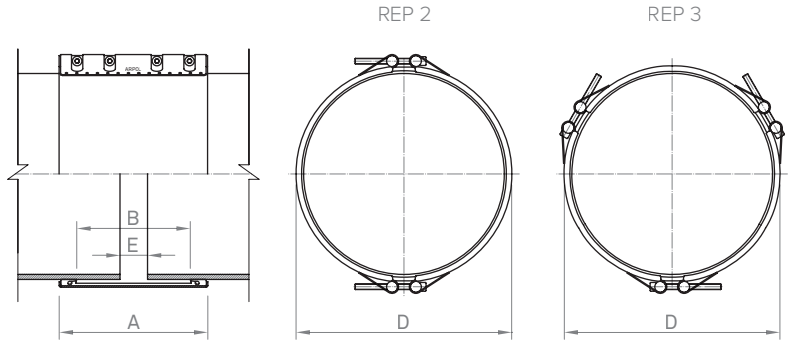
OD	Maximum diameter difference		Maximum angular deflection	Maximum misalignment	Maximum crack width
	2 locks	3 locks	AFWR-AGWR	AFWR-AGWR	
	AFWR-AGWR	AFW3-AGW3	AFW3-AGW3	AFW3-AGW3	
in	mil	mil	degrees	mil	in
20 - 60	240	320	2,0	120	8.00
60 - 80	240	320	1,0	120	8.00

See page 5 (Permitted tolerances)

# Nominal width 12.00

## Series IBWR to IHGWR IBW3 to IHGW3

For the correct operation of the coupling, fitting instructions must be respected.  
Test pressure = 1.5 x PS



	IBWR IBW3	ICWR ICW3	IDWR IDW3	IEWR IEW3	IFWR IFW3	IGWR IGW3	IHWR IHW3	IHGWR IHGW3
	in	in	in	in	in	in	in	in
A	11.57	11.61	11.65	11.69	11.77	11.85	11.77	11.85
B	9.05	9.05	9.05	9.05	9.05	9.05	9.05	9.05
D	DE+0.91	DE+0.94	DE+0.98	DE+1.02	DE+1.10	DE+1.20	DE+2.05	DE+2.20
E <sup>1</sup>	0.60	0.60	0.60	0.60	0.60	0.60	0.60	0.60
E <sup>2</sup>	3.20	3.20	3.20	3.20	3.20	3.20	3.20	3.20

	Quality W1		Quality W2		Quality W4		Quality W5	
	AISI	DIN	AISI	DIN	AISI	DIN	AISI	DIN
Casing			304 L	1.4307	304 L	1.4307	316 L	1.4404
Bolts			1035	1.0501	304	1.4301	316	1.4401
Bars			1045	1.0503	304 L	1.4307	316 L	1.4404
Inner Steel Bridge (Lock)			304 L	1.4307	304 L	1.4307	316 L	1.4404

Sealing gasket: EPDM

DN	IBWR - IBW3			ICWR - ICW3			IDWR - IDW3			IEWR - IEW3			IFWR - IFW3			IGWR - IGW3			IHW3 - IHW3			IHGWR - IHGW3		
in	PS psi	Diam.	Tor. lbf ft	PS psi	Diam.	Tor. lbf ft	PS psi	Diam.	Tor. lbf ft	PS psi	Diam.	Tor. lbf ft	PS psi	Diam.	Tor. lbf ft	PS psi	Diam.	Tor. lbf ft	PS psi	Diam.	Tor. lbf ft	PS psi	Diam.	Tor. lbf ft
12	174	M 12	15	232	M 12	15	290	M 12	15															
14	159	M 12	15	203	M 12	15	261	M 12	20	304	M 16	20	406	M 16	20									
16	130	M 12	15	188	M 12	15	232	M 12	20	275	M 16	25	362	M 16	25									
18	116	M 12	20	159	M 12	20	203	M 12	25	246	M 16	25	319	M 16	25									
20	116	M 12	20	145	M 12	20	188	M 12	25	217	M 16	30	290	M 16	30									
22	101	M 12	25	130	M 12	25	174	M 12	25	203	M 16	30	275	M 16	30									
24	87	M 12	25	130	M 12	25	159	M 12	30	188	M 16	30	246	M 16	30	304	M 20	30	391	M 20	45	493	M 20	45
26	87	M 12	25	116	M 12	25	145	M 12	30	174	M 16	35	232	M 16	35	290	M 20	45	362	M 20	45	464	M 20	45
28	87	M 12	30	101	M 12	30	130	M 12	30	159	M 16	35	217	M 16	35	261	M 20	45	333	M 20	55	420	M 24	60
30	72	M 12	30	101	M 12	30				145	M 16	40	203	M 16	40	246	M 20	45	319	M 20	55	391	M 24	60
32										145	M 16	40	188	M 16	40	232	M 20	55	290	M 20	55	377	M 24	70
34										130	M 16	45	174	M 16	45	217	M 20	55	275	M 20	60	348	M 24	70
36										130	M 16	45	174	M 16	45	203	M 20	55	261	M 20	60	333	M 24	75
38										116	M 16	45	159	M 16	45	203	M 20	60	246	M 20	70	319	M 24	75
42										116	M 16	55	145	M 16	55	188	M 20	60	232	M 20	70	304	M 24	90
44										101	M 16	55	130	M 16	55	174	M 20	70	217	M 20	75	275	M 24	90
48										101	M 16	60	130	M 20	75	159	M 20	75	203	M 20	90	246	M 24	105
52										87	M 16	60	116	M 20	75	145	M 20	75	188	M 20	90	232	M 24	105
56										87	M 16	70	101	M 20	90	130	M 20	90	174	M 20	90	217	M 24	120
60										72	M 16	75	101	M 20	90	130	M 20	90	159	M 20	105	203	M 24	120
64										72	M 16	75	101	M 20	105	116	M 20	105	145	M 20	105	188	M 24	135
68										72	M 20	105	87	M 20	105	116	M 20	105	145	M 20	120	174	M 24	135
72										58	M 20	105	87	M 20	105	101	M 20	105	130	M 20	120	174	M 24	150
76										58	M 20	120	87	M 20	120	101	M 20	120	130	M 20	135	159	M 24	150
80										58	M 20	120	72	M 20	120	101	M 20	120	116	M 20	135	159	M 24	165

Nominal Diameter orientativo para comprobar la escala de Pressure. Fabricado de todas las medidas dentro del Range DN hasta 160 in.

E<sup>1</sup> Permitted gaps without internal band E<sup>2</sup> Permitted gaps with internal band PS Working pressure DN Nominal Diameter OD Outside Diameter Tor. Torque Value

OD	Maximum diameter difference				Maximum angular deflection		Maximum misalignment		Maximum crack width
	2 locks		3 locks		IBWR-IGWR	IHW3-IHGWR	IBWR-IGWR	IHW3-IHGWR	
	IBWR-IGWR	IBW3-IGW3	IHW3-IHGWR	IHW3-IHGW3					
in	mil	mil	mil	mil	degrees	degrees	mil	mil	in
12 - 60	200	280			2,0		120		8,00
20 - 60	240	320	120	160	2,0	1,0	120	80	8,00
60 - 80	240	320	120	160	1,0	1,0	120	80	8,00

For diameters more than 80 in, please consult